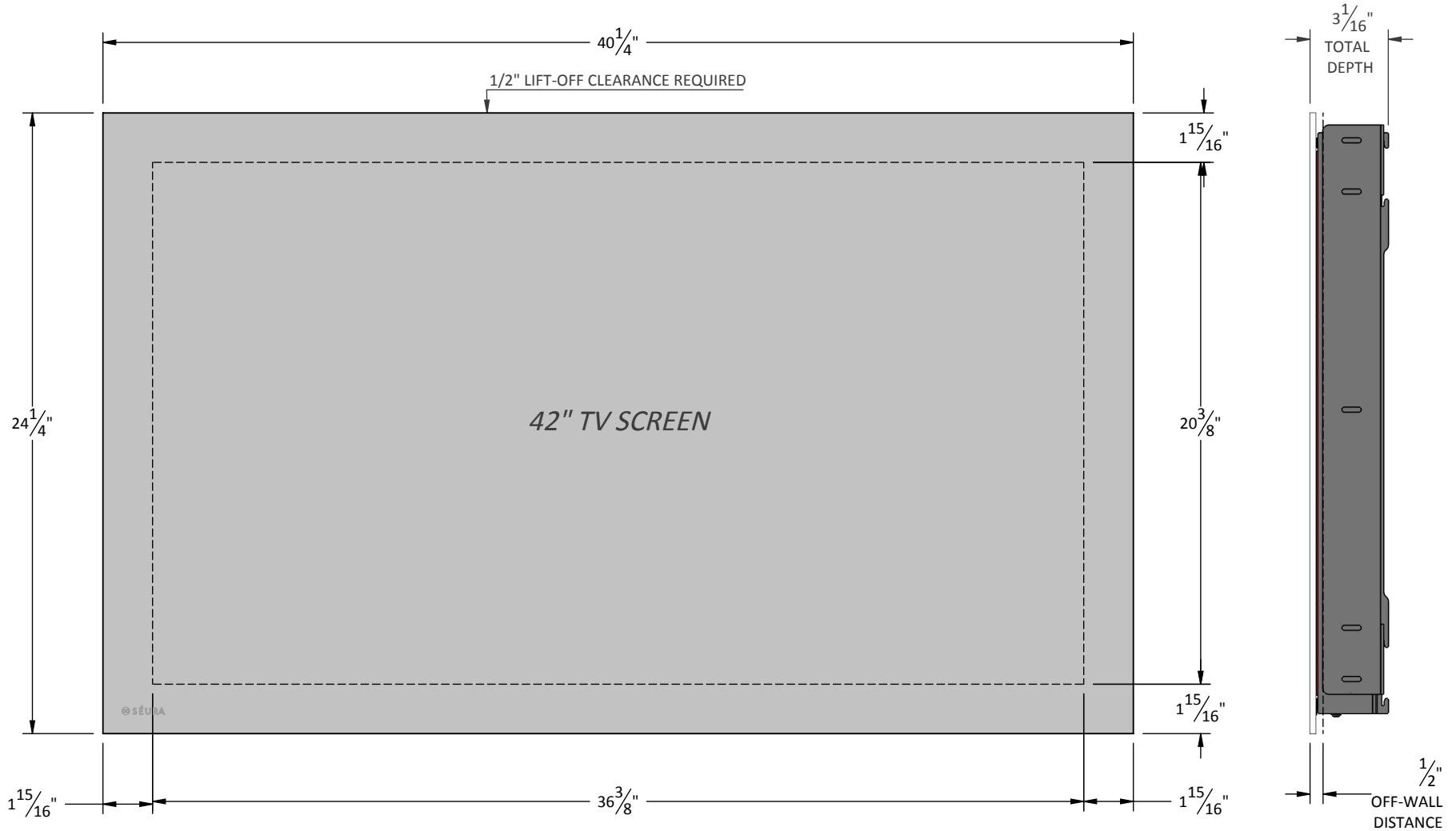


NOTE: FOR STANDARD RECESSED UNITS A FRAME IS REQUIRED TO COVER WALL OPENING. FRAME MAY BE PROVIDED BY SEURA OR OTHERS.



SIGNATURE:

DATE:

NOTE: PLEASE SIGN AND DATE THIS PAGE BEFORE RETURNING TO SEURA, SIGNIFYING YOU AGREE TO ALL SPECIFICATIONS SHOWN ON ALL DRAWING SHEETS. THE BUILD PROCESS WILL NOT BEGIN WITHOUT AN AUTHORIZED SIGNATURE. FOR DRAWINGS THAT REQUIRE REVISIONS, SEND THE REVISIONS TO SEURA NOTED ON THE ORIGINAL DRAWINGS. A REVISED DRAWING PACKAGE WILL BE RE-SENT FOR SIGNATURE.

TOLERANCES (UNLESS OTHERWISE NOTED)
 FRACTIONAL: ± 1/8"
 ANGULAR: ± 1.0°
 TWO PLACE DECIMAL: ± .03"
 THREE PLACE DECIMAL: ± .015"

PROPRIETARY AND CONFIDENTIAL
 THE INFORMATION CONTAINED IN THIS DOCUMENT IS THE SOLE PROPERTY OF THE MANUFACTURER. ANY REPRODUCTION IN PART, OR AS A WHOLE, WITHOUT THE WRITTEN PERMISSION OF MANUFACTURER, IS PROHIBITED.

SHEET 1

S2-42.2 FULL HIGH DEFINITION DISPLAY SPECIFICATIONS

Display Type SI Thin Film Transistor

Backlight LED

Active Screen Area WxH 36.53" (W) x 20.57" (H)

Picture Format 16:9

Physical Resolution 1920 x 1080

Horizontal Viewing Angle Typical (Total) 178° (Left: 89° / Right: 89°)

Vertical Viewing Angle Typical (Total) 178° (Up: 89° / Down: 89°)

Brightness 500 cd/m²

Contrast Typical 1300:1

Response Time 8ms

OSD Language English, Spanish, French

Video

HDMI™ 480i, 480p, 576i, 576p, 720p, 1080i, 1080p

Component (YPbPr/YCbCr) 480i, 480p, 576i, 576p, 720p, 1080i, 1080p

VGA up to 1920 x 1080p

Audio Input Line Level

Audio Output Analog L/R, Optical Digital and Coaxial

Input Ports

Line Audio Input 2 x RCA terminal, white, red

Component Input 3 x RCA terminal, red, green, blue

HDMI Input 3 x HDMI terminal

RF Input ATSC/NTSC

USB 1 x USB terminal

RS232 RJ45 Port

IR Input (Infrared) RJ45 Port

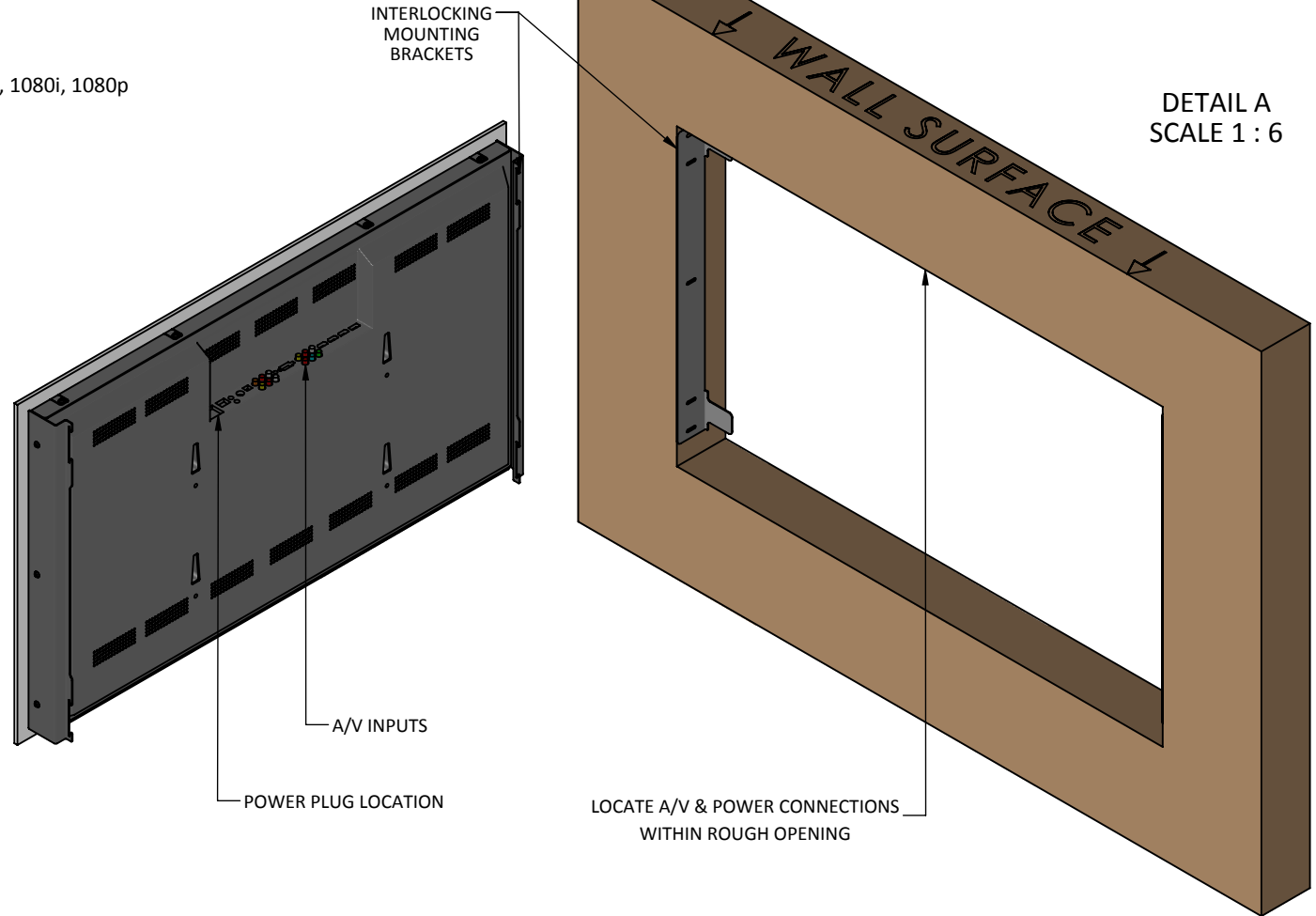
Output Ports

IR Output RJ45 Port

Power Consumption 100-240VAC, 50/60Hz, 105W

Refresh Rate 120 Hz

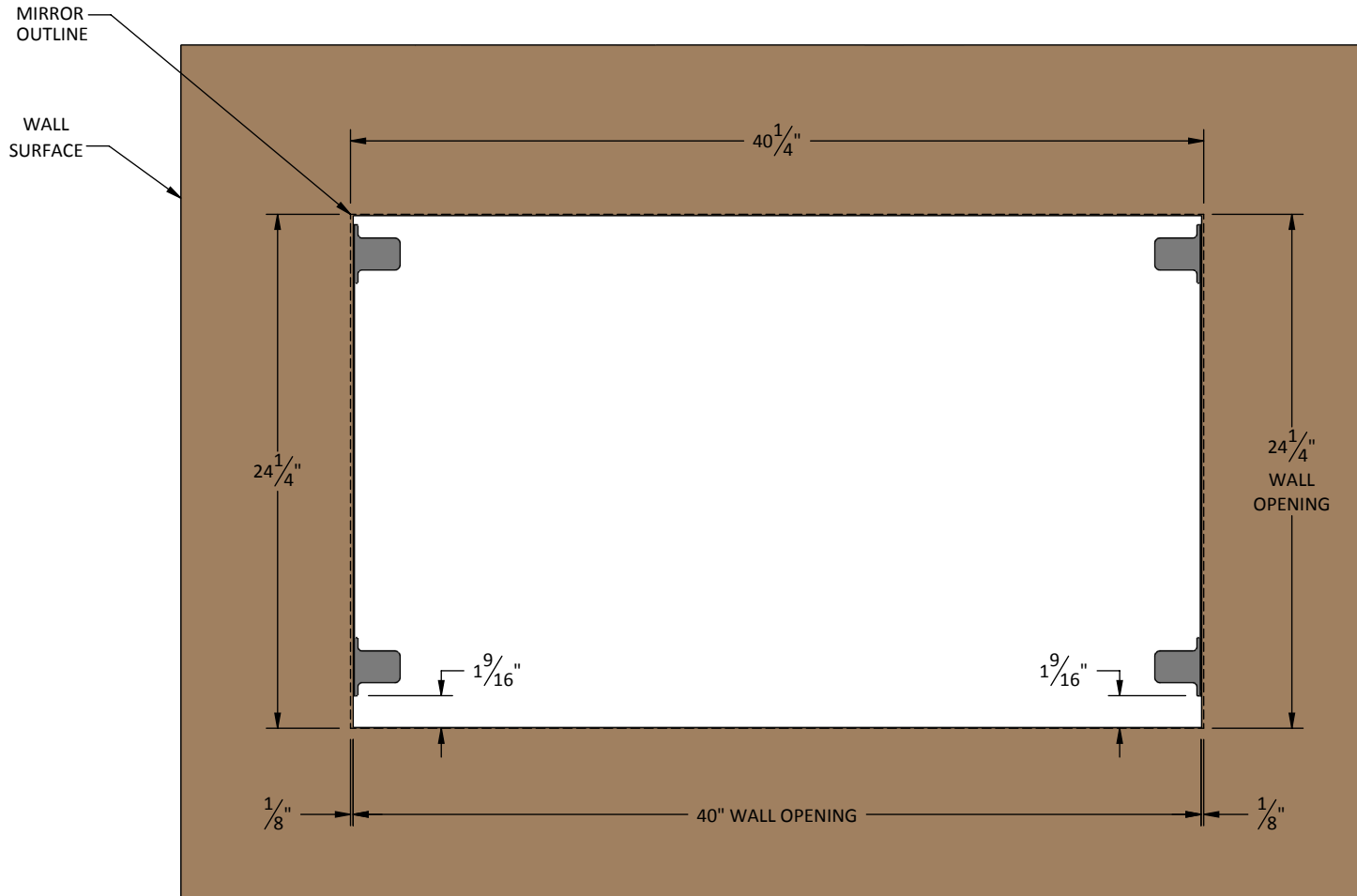
VESA Hole Pattern 400mm X 200mm



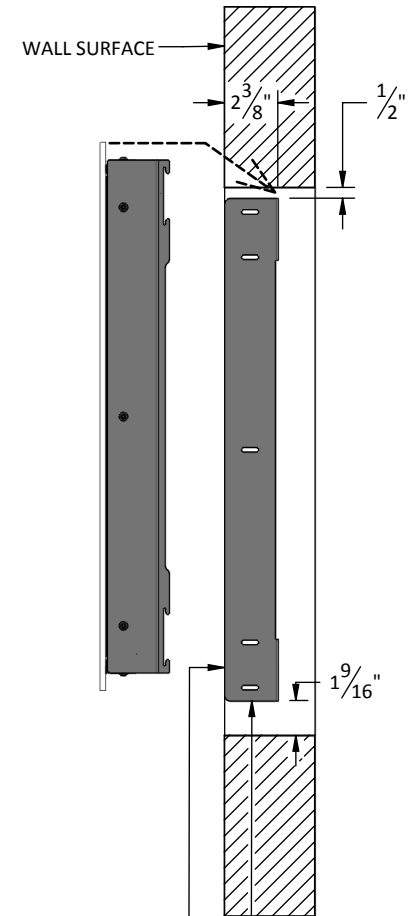
<p>TOLERANCES (UNLESS OTHERWISE NOTED) FRACTIONAL: ± 1/8" ANGULAR: ± 1.0° TWO PLACE DECIMAL: ± .03" THREE PLACE DECIMAL: ± .015"</p>	<p>PROPRIETARY AND CONFIDENTIAL THE INFORMATION CONTAINED IN THIS DOCUMENT IS THE SOLE PROPERTY OF THE MANUFACTURER. ANY REPRODUCTION IN PART, OR AS A WHOLE, WITHOUT THE WRITTEN PERMISSION OF MANUFACTURER, IS PROHIBITED.</p>
---	--

Model Number S-R-4024-S2-42.2-T2	Drawing ID Number -	Date Created 31 MAY 2016	Revised Date 28 JUN 2017
-------------------------------------	------------------------	-----------------------------	-----------------------------

NOTE: FOR STANDARD RECESSED UNITS A FRAME IS REQUIRED TO COVER WALL OPENING. FRAME MAY BE PROVIDED BY SEURA OR OTHERS.



**SIDE VIEW
BRACKET ENGAGEMENT**



FRONT EDGE OF BRACKET TO LINE UP WITH WALL SURFACE

BOTTOM OF BRACKET TO BE 1-9/16" FROM BOTTOM OF WALL OPENING

INSTALLATION INSTRUCTIONS:

- Reference the dimensions on this sheet to properly locate the wall opening on the mounting surface and the mounting brackets within the wall opening.
- Secure mounting brackets to frame members.
- Hold mirror assembly close to wall, connect A/V and power, and verify functionality.
- Hang mirror assembly. Ensure the brackets are interlocked and mirror is secure.

**TOLERANCES
(UNLESS OTHERWISE NOTED)**
 FRACTIONAL: $\pm 1/8"$
 ANGULAR: $\pm 1.0^\circ$
 TWO PLACE DECIMAL: $\pm .03"$
 THREE PLACE DECIMAL: $\pm .015"$

PROPRIETARY AND CONFIDENTIAL
 THE INFORMATION CONTAINED IN THIS DOCUMENT IS THE SOLE PROPERTY OF THE MANUFACTURER. ANY REPRODUCTION IN PART, OR AS A WHOLE, WITHOUT THE WRITTEN PERMISSION OF MANUFACTURER, IS PROHIBITED.

Model Number S-R-4024-S2-42.2-T2	Drawing ID Number -	Date Created 31 MAY 2016	Revised Date 28 JUN 2017
-------------------------------------	------------------------	-----------------------------	-----------------------------