



www.seura.com
PH. 920.857.9069
FAX 920.857.9490

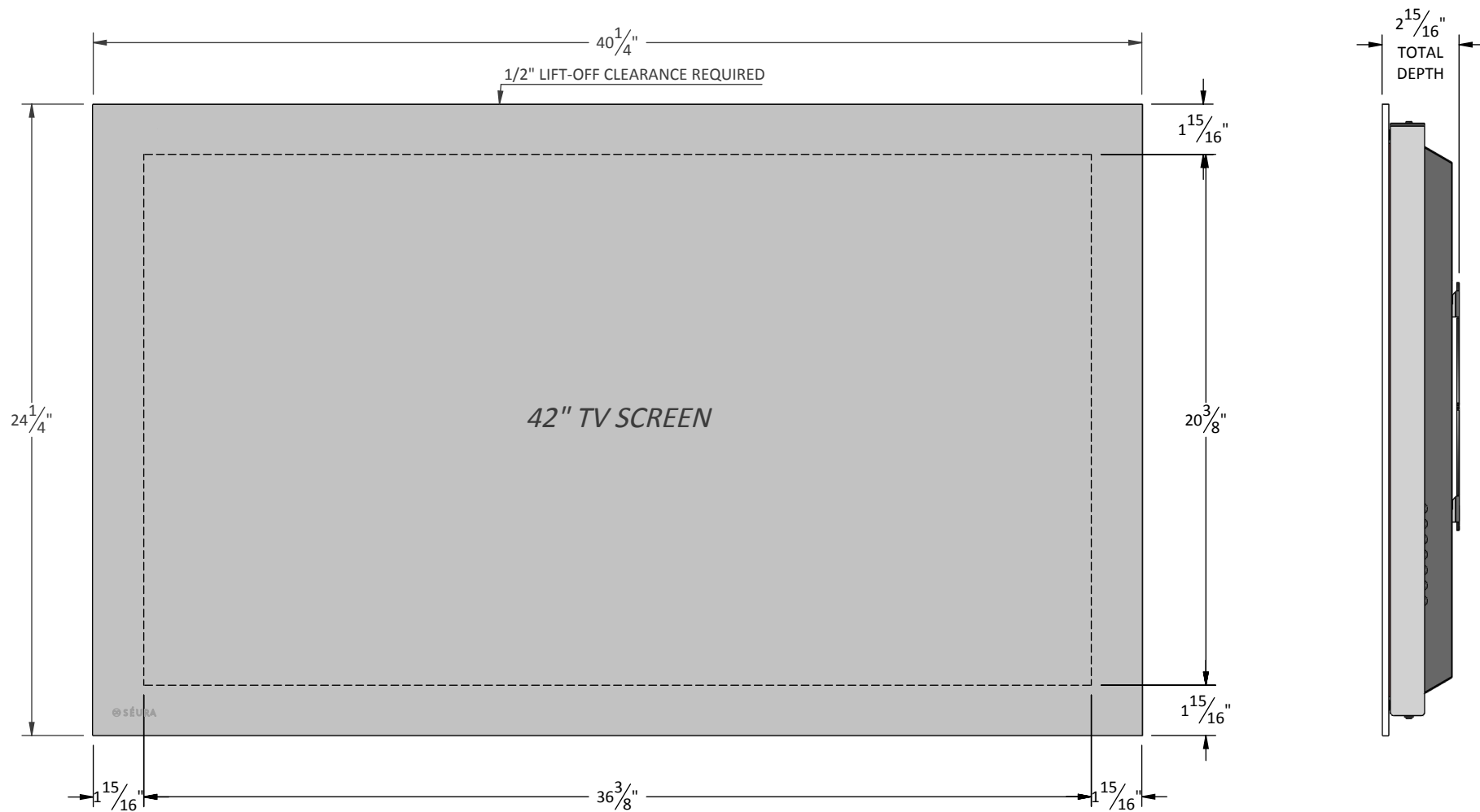
Reseller
-

Drawing ID Number
-

Date Created
31 MAY 2016

Revised Date
28 JUN 2017

Item and Description
S-S-4024-S2-42.2-T2
40-1/4"(W) X 24-1/4"(H) Surface TV Mirror with 42" TV with Vanishing Entertainment Glass



SIGNATURE:

DATE:

NOTE: PLEASE SIGN AND DATE THIS PAGE BEFORE RETURNING TO SEURA, SIGNIFYING YOU AGREE TO ALL SPECIFICATIONS SHOWN ON ALL DRAWING SHEETS. THE BUILD PROCESS WILL NOT BEGIN WITHOUT AN AUTHORIZED SIGNATURE. FOR DRAWINGS THAT REQUIRE REVISIONS, SEND THE REVISIONS TO SEURA NOTED ON THE ORIGINAL DRAWINGS. A REVISED DRAWING PACKAGE WILL BE RE-SENT FOR SIGNATURE.

TOLERANCES (UNLESS OTHERWISE NOTED)
FRACTIONAL: ± 1/8"
ANGULAR: ± 1.0°
TWO PLACE DECIMAL: ± .03"
THREE PLACE DECIMAL: ± .015"

PROPRIETARY AND CONFIDENTIAL
THE INFORMATION CONTAINED IN THIS DOCUMENT IS THE SOLE PROPERTY OF THE MANUFACTURER. ANY REPRODUCTION IN PART, OR AS A WHOLE, WITHOUT THE WRITTEN PERMISSION OF MANUFACTURER, IS PROHIBITED.

SHEET 1

42.S2 FULL HIGH DEFINITION DISPLAY SPECIFICATIONS

Display Type SI Thin Film Transistor

Backlight LED

Active Screen Area WxH 36.53" (W) x 20.57" (H)

Picture Format 16:9

Physical Resolution 1920 x 1080

Horizontal Viewing Angle Typical (Total) 178° (Left: 89° / Right: 89°)

Vertical Viewing Angle Typical (Total) 178° (Up: 89° / Down: 89°)

Brightness 500 cd/m²

Contrast Typical 1300:1

Response Time 8ms

OSD Language English, Spanish, French

Video

HDMI™ 480i, 480p, 576i, 576p, 720p, 1080i, 1080p

Component (YPbPr/YCbCr) 480i, 480p, 576i, 576p, 720p, 1080i, 1080p

VGA up to 1920 x 1080p

Audio Input Line Level

Audio Output Analog L/R, Optical Digital and Coaxial

Input Ports

Line Audio Input 2 x RCA terminal, white, red

Component Input 3 x RCA terminal, red, green, blue

HDMI Input 3 x HDMI terminal

RF Input ATSC/NTSC

USB 1 x USB terminal

RS232 RJ45 Port

IR Input (Infrared) RJ45 Port

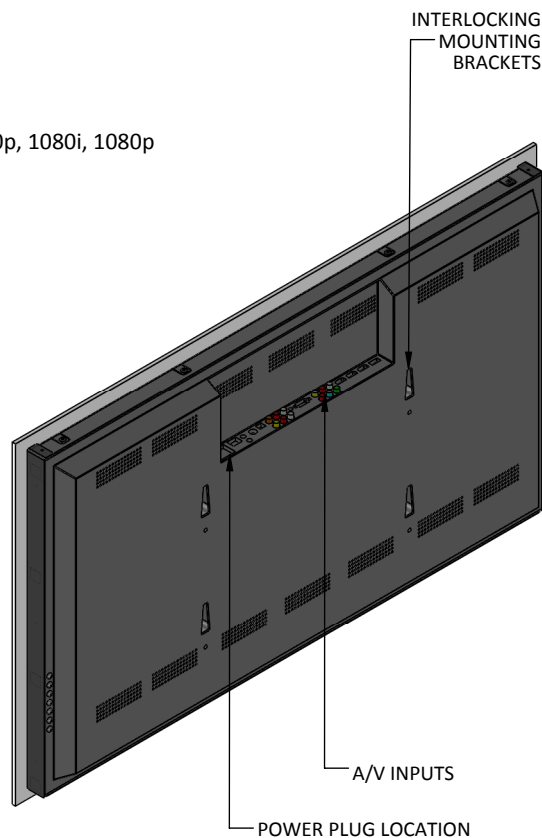
Output Ports

IR Output RJ45 Port

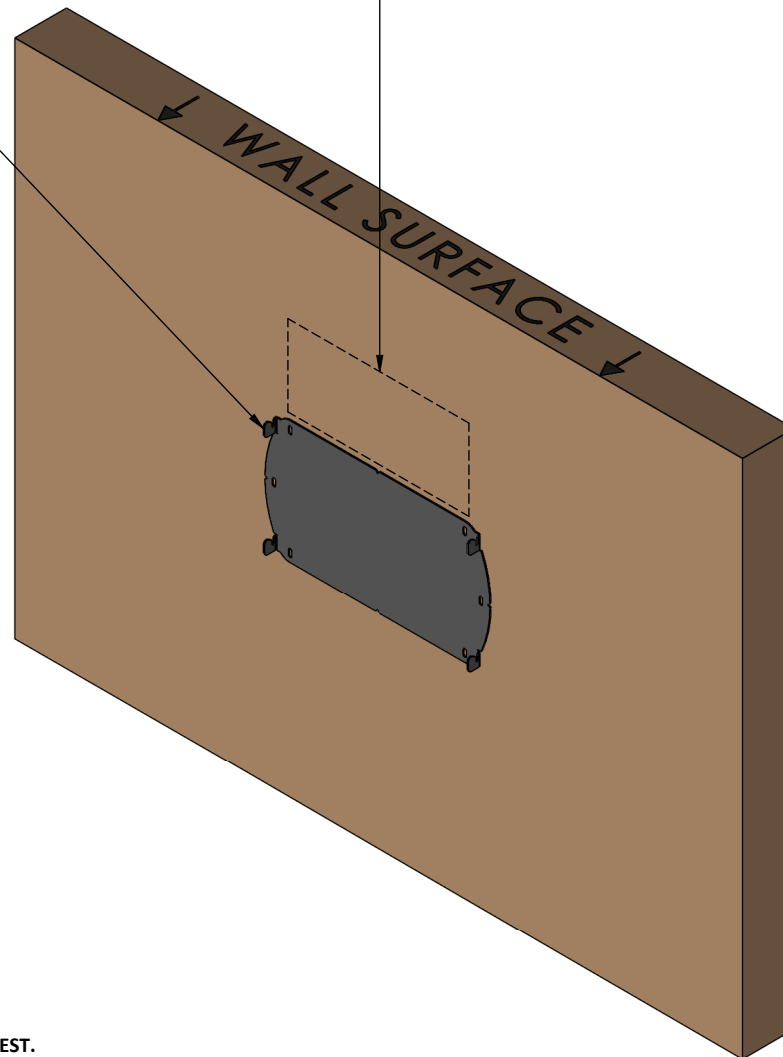
Power Consumption 100-240VAC, 50/60Hz, 105W

Refresh Rate 120 Hz

VESA Hole Pattern 400mm X 200mm



LOCATE POWER & A/V WITHIN THIS AREA, RECESSED OUTLET REQUIRED. REFER TO SHEET 3 FOR DIMENSIONS

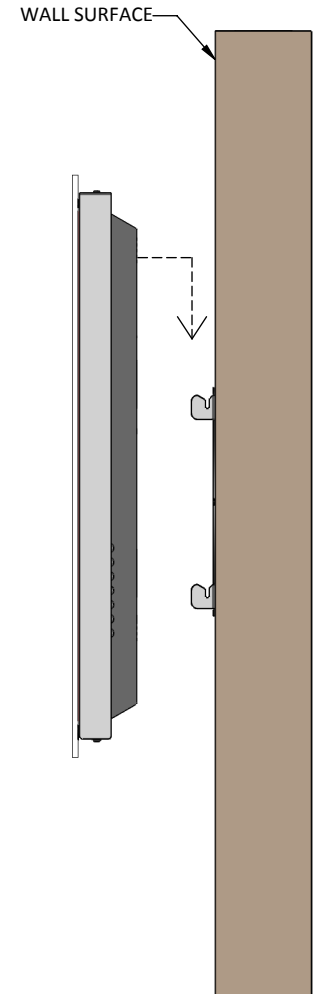
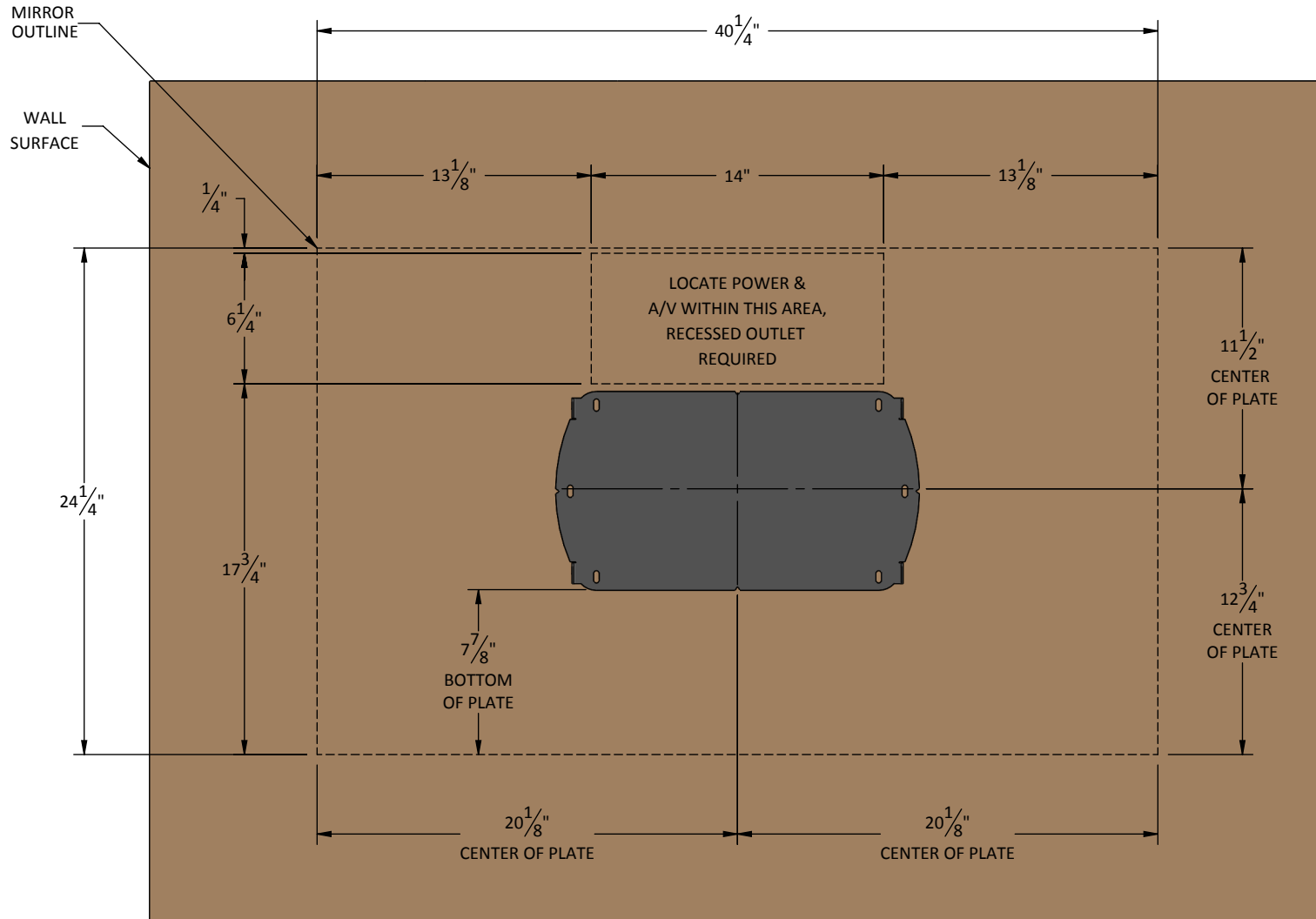


SPECIFY #SP10232 FOR OPTIONAL IN-WALL BOX KIT AVAILABLE UPON REQUEST. DESIGNED FOR STANDARD 2 X 4 WALLS (NEW OR OLD CONSTRUCTION). INSTALLATION INSTRUCTIONS ARE INCLUDED. REQUIRES 5-3/4"W X 5-1/8"H ROUGH OPENING. MFR: ARLINGTON #TVBR505K

<p>TOLERANCES (UNLESS OTHERWISE NOTED) FRACTIONAL: ± 1/8" ANGULAR: ± 1.0° TWO PLACE DECIMAL: ± .03" THREE PLACE DECIMAL: ± .015"</p>	<p>PROPRIETARY AND CONFIDENTIAL THE INFORMATION CONTAINED IN THIS DOCUMENT IS THE SOLE PROPERTY OF THE MANUFACTURER. ANY REPRODUCTION IN PART, OR AS A WHOLE, WITHOUT THE WRITTEN PERMISSION OF MANUFACTURER, IS PROHIBITED.</p>
---	--

Model Number S-S-4024-S2-42.2-T2	Drawing ID Number -	Date Created 31 MAY 2016	Revised Date 28 JUN 2017
-------------------------------------	------------------------	-----------------------------	-----------------------------

**SIDE VIEW
BRACKET ENGAGEMENT**



INSTALLATION INSTRUCTIONS:

- Reference the dimensions on this sheet to properly locate the wall brackets on the mounting surface.
- If it is not possible to mount to the wall framing members, use the supplied toggle bolts into minimum ½-inch thick drywall. Toggle bolt instructions are included in the fastener packet.
- Hold mirror assembly close to wall, connect A/V and power, and verify functionality.
- Hang TV mirror on mounting plate, ensuring hooks are fully engaged and unit is secure.

<p>TOLERANCES (UNLESS OTHERWISE NOTED) FRACTIONAL: ± 1/8" ANGULAR: ± 1.0° TWO PLACE DECIMAL: ± .03" THREE PLACE DECIMAL: ± .015"</p>	<p>PROPRIETARY AND CONFIDENTIAL THE INFORMATION CONTAINED IN THIS DOCUMENT IS THE SOLE PROPERTY OF THE MANUFACTURER. ANY REPRODUCTION IN PART, OR AS A WHOLE, WITHOUT THE WRITTEN PERMISSION OF MANUFACTURER, IS PROHIBITED.</p>
---	--

Model Number S-S-4024-S2-42.2-T2	Drawing ID Number -	Date Created 31 MAY 2016	Revised Date 28 JUN 2017
-------------------------------------	------------------------	-----------------------------	-----------------------------