



www.seura.com  
PH. 920.857.9069  
FAX 920.857.9490

Reseller  
-

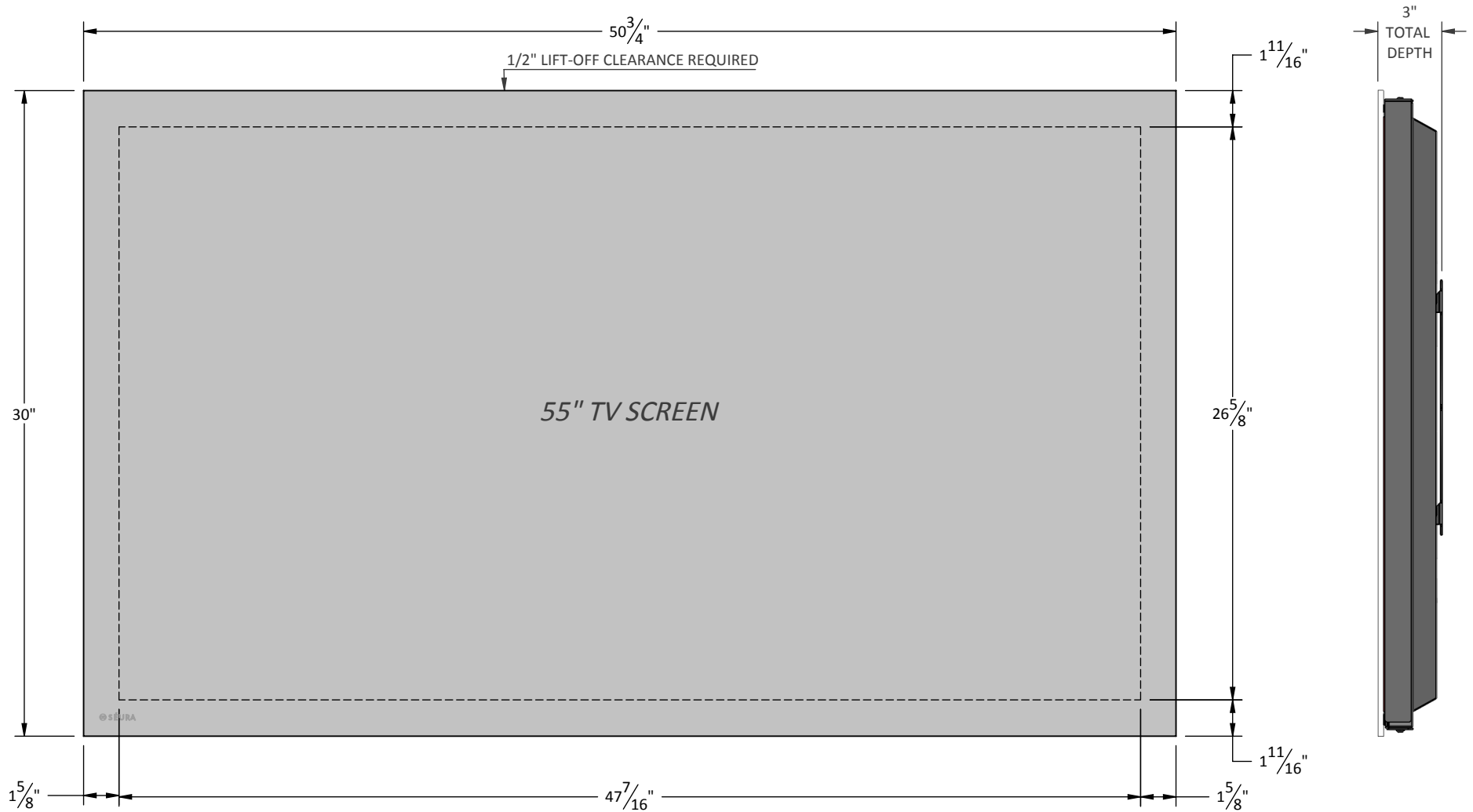
Drawing ID Number  
-

Date Created  
28 MAR 2017

Revised Date  
28 JUN 2017

Item and Description  
S-S-5030-S2-55.3-T2

50-3/4"(W) X 30"(H) Surface-Mounted TV Mirror with 55" TV and Vanishing Entertainment Glass



**SIGNATURE:**

**DATE:**

**NOTE:** PLEASE SIGN AND DATE THIS PAGE BEFORE RETURNING TO SEURA, SIGNIFYING YOU AGREE TO ALL SPECIFICATIONS SHOWN ON ALL DRAWING SHEETS. THE BUILD PROCESS WILL NOT BEGIN WITHOUT AN AUTHORIZED SIGNATURE. FOR DRAWINGS THAT REQUIRE REVISIONS, SEND THE REVISIONS TO SEURA NOTED ON THE ORIGINAL DRAWINGS. A REVISED DRAWING PACKAGE WILL BE RE-SENT FOR SIGNATURE.

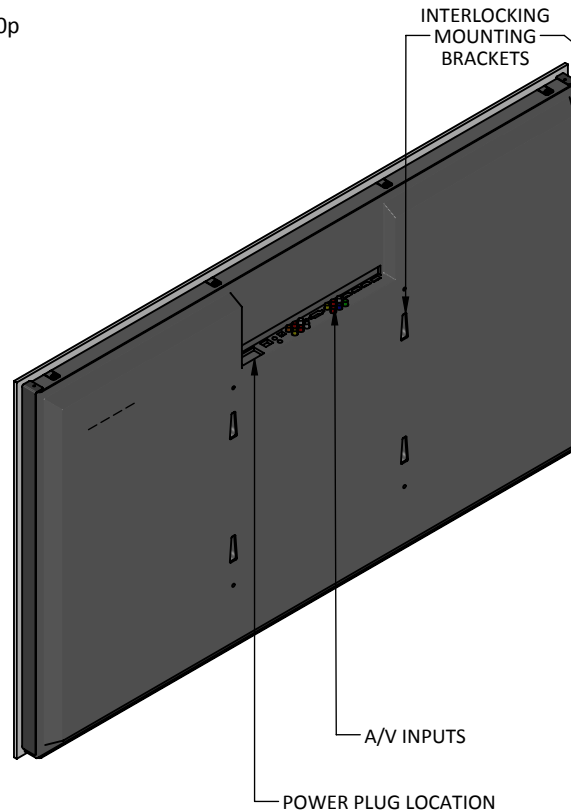
**TOLERANCES (UNLESS OTHERWISE NOTED)**  
 FRACTIONAL: ± 1/8"  
 ANGULAR: ± 1.0°  
 TWO PLACE DECIMAL: ± .03"  
 THREE PLACE DECIMAL: ± .015"

**PROPRIETARY AND CONFIDENTIAL**  
 THE INFORMATION CONTAINED IN THIS DOCUMENT IS THE SOLE PROPERTY OF THE MANUFACTURER. ANY REPRODUCTION IN PART, OR AS A WHOLE, WITHOUT THE WRITTEN PERMISSION OF MANUFACTURER, IS PROHIBITED.

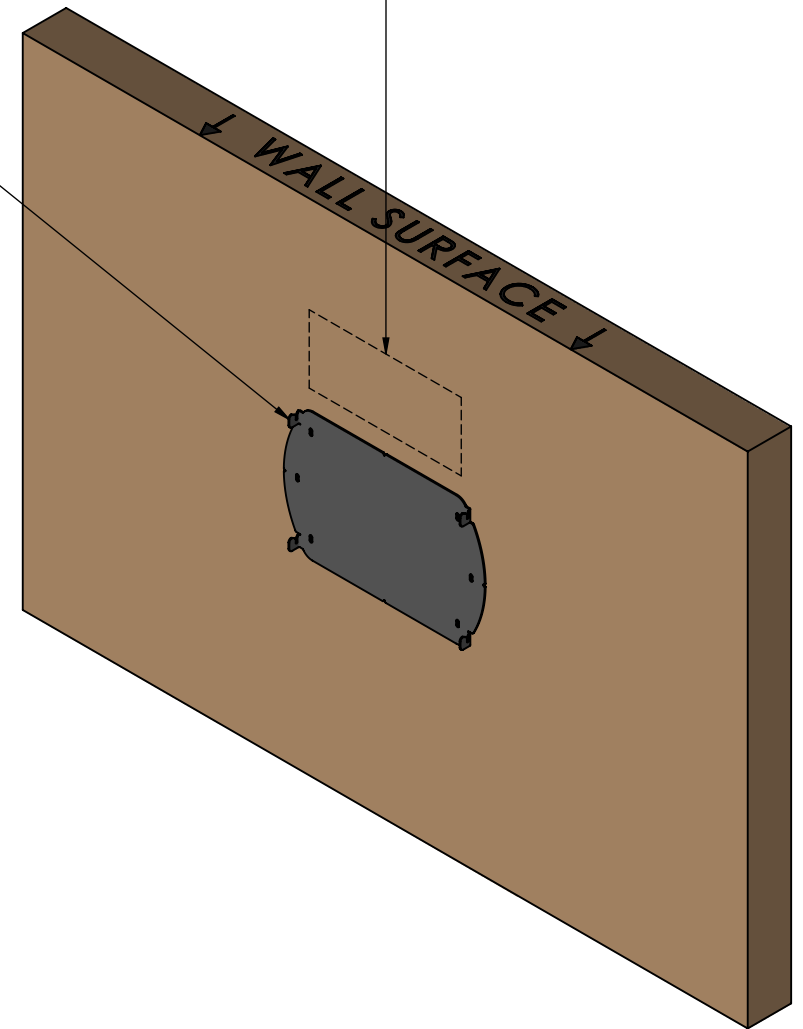
**SHEET 1**

## S2-55.3 ULTRA HIGH DEFINITION DISPLAY SPECIFICATIONS

**Display Type** SI Thin Film Transistor  
**Backlight** LED  
**Active Screen Area WxH** 47.62" (W) x 26.79" (H)  
**Picture Format** 16:9  
**Physical Resolution** 3840 x 2160  
**Horizontal Viewing Angle** Typical (Total) 178° (Left: 89° / Right: 89°)  
**Vertical Viewing Angle** Typical (Total) 178° (Up: 89° / Down: 89°)  
**Brightness** 500 cd/m<sup>2</sup>  
**Contrast** Typical 1100:1  
**Response Time** 8.0ms  
**OSD Language** English, Spanish, French  
**Video**  
**HDMI™** 480i, 480p, 576i, 576p, 720p, 1080i, 1080p, 2160p  
**VGA** up to 1920 x 1080p  
**Audio Input** Line Level  
**Audio Output** Analog L/R, Optical Digital and Coaxial  
**Input Ports**  
**Display Port** - 1  
**HDMI Input** 3 x HDMI terminal  
**USB** 1 x USB terminal  
**RS232** RJ45 Port  
**IR Input (Infrared)** RJ45 Port  
**Output Ports**  
**+ 5 Volt Output**  
**+12 Volt Output**  
**IR Output** RJ45 Port  
**Power Consumption** 100-240VAC, 50/60Hz, 145W  
**Refresh Rate** 60 Hz  
**VESA Hole Pattern** 400mm X 400mm



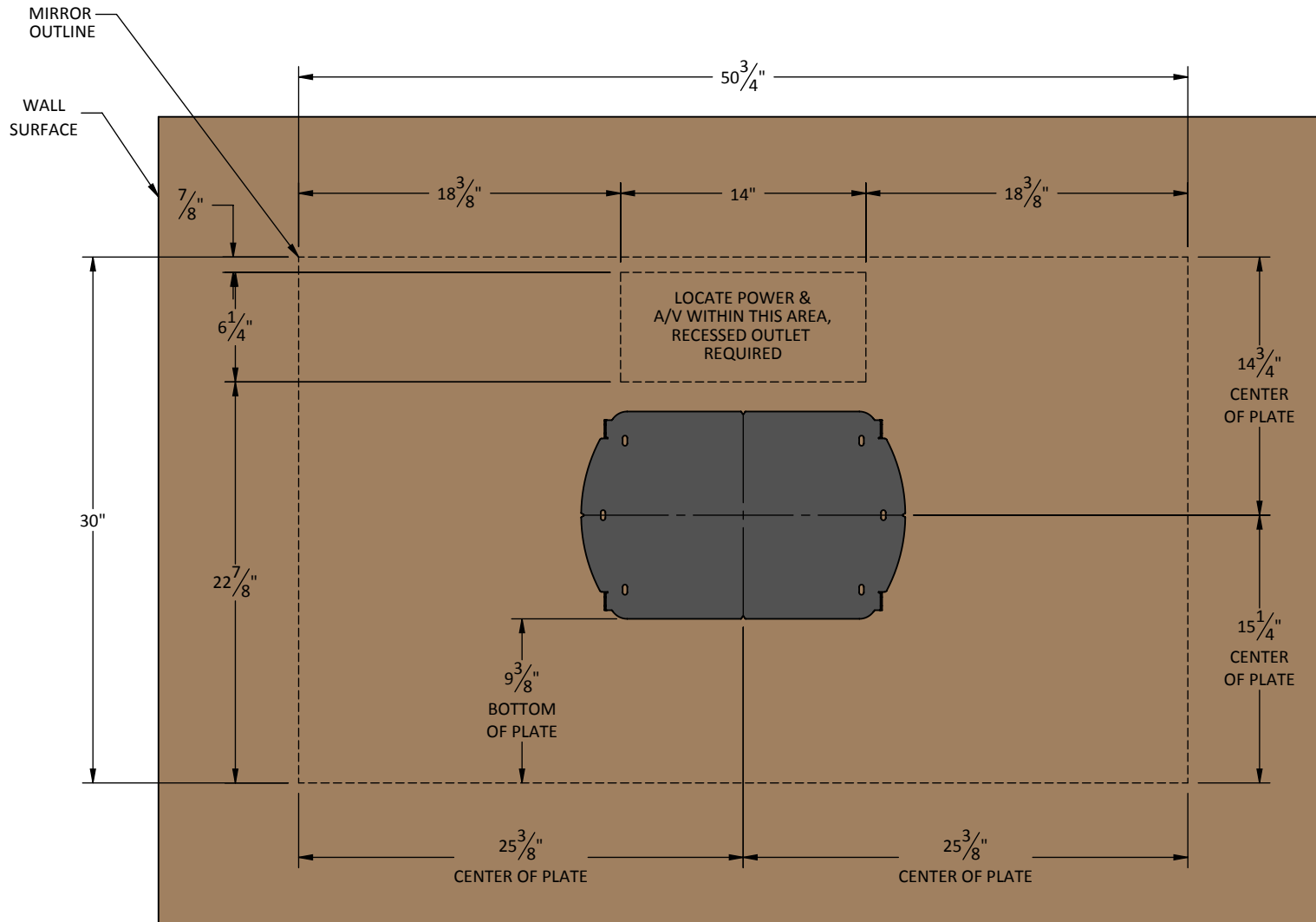
LOCATE POWER & A/V WITHIN THIS AREA, RECESSED OUTLET REQUIRED.  
 REFER TO SHEET 3 FOR DIMENSIONS



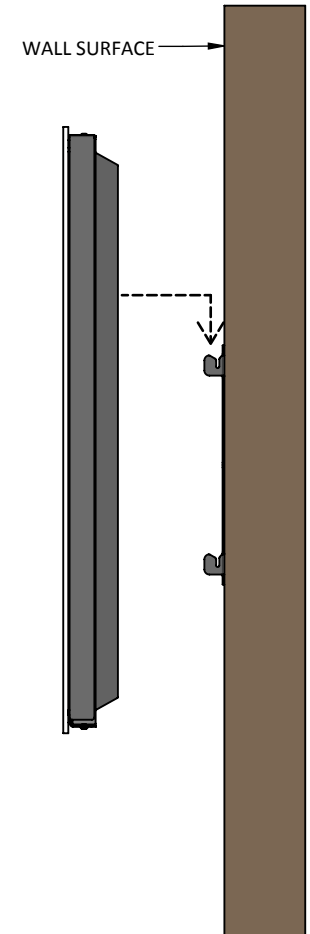
**SPECIFY #SP10232 FOR OPTIONAL IN-WALL BOX KIT AVAILABLE UPON REQUEST.**  
**DESIGNED FOR STANDARD 2 X 4 WALLS (NEW OR OLD CONSTRUCTION).**  
**INSTALLATION INSTRUCTIONS ARE INCLUDED.**  
**REQUIRES 5-3/4"W X 5-1/8"H ROUGH OPENING.**  
**MFR: ARLINGTON #TVBR505K**

<b>TOLERANCES (UNLESS OTHERWISE NOTED)</b> FRACTIONAL: ± 1/8" ANGULAR: ± 1.0° TWO PLACE DECIMAL: ± .03" THREE PLACE DECIMAL: ± .015"	<b>PROPRIETARY AND CONFIDENTIAL</b> THE INFORMATION CONTAINED IN THIS DOCUMENT IS THE SOLE PROPERTY OF THE MANUFACTURER. ANY REPRODUCTION IN PART, OR AS A WHOLE, WITHOUT THE WRITTEN PERMISSION OF MANUFACTURER, IS PROHIBITED.
--	---

Model Number S-S-5030-S2-55.3-T2	Drawing ID Number -	Date Created 28 MAR 2017	Revised Date 28 JUN 2017
-------------------------------------	------------------------	-----------------------------	-----------------------------



**SIDE VIEW  
BRACKET ENGAGEMENT**



**INSTALLATION INSTRUCTIONS:**

- Reference the dimensions on this sheet to properly locate the wall opening on the mounting surface and the mounting brackets within the wall opening.
- Secure mounting brackets to frame members.
- Hold mirror assembly close to wall, connect A/V and power, and verify functionality.
- Hang mirror assembly. Ensure the brackets are interlocked and mirror is secure.

<p><b>TOLERANCES (UNLESS OTHERWISE NOTED)</b>          FRACTIONAL: ± 1/8"          ANGULAR: ± 1.0°          TWO PLACE DECIMAL: ± .03"          THREE PLACE DECIMAL: ± .015"</p>	<p><b>PROPRIETARY AND CONFIDENTIAL</b>          THE INFORMATION CONTAINED IN THIS DOCUMENT IS THE SOLE PROPERTY OF THE MANUFACTURER. ANY REPRODUCTION IN PART, OR AS A WHOLE, WITHOUT THE WRITTEN PERMISSION OF MANUFACTURER, IS PROHIBITED.</p>
---	--

Model Number S-S-5030-S2-55.3-T2	Drawing ID Number -	Date Created 28 MAR 2017	Revised Date 28 JUN 2017
-------------------------------------	------------------------	-----------------------------	-----------------------------