



www.seura.com  
PH. 920.857.9069  
FAX 920.857.9490

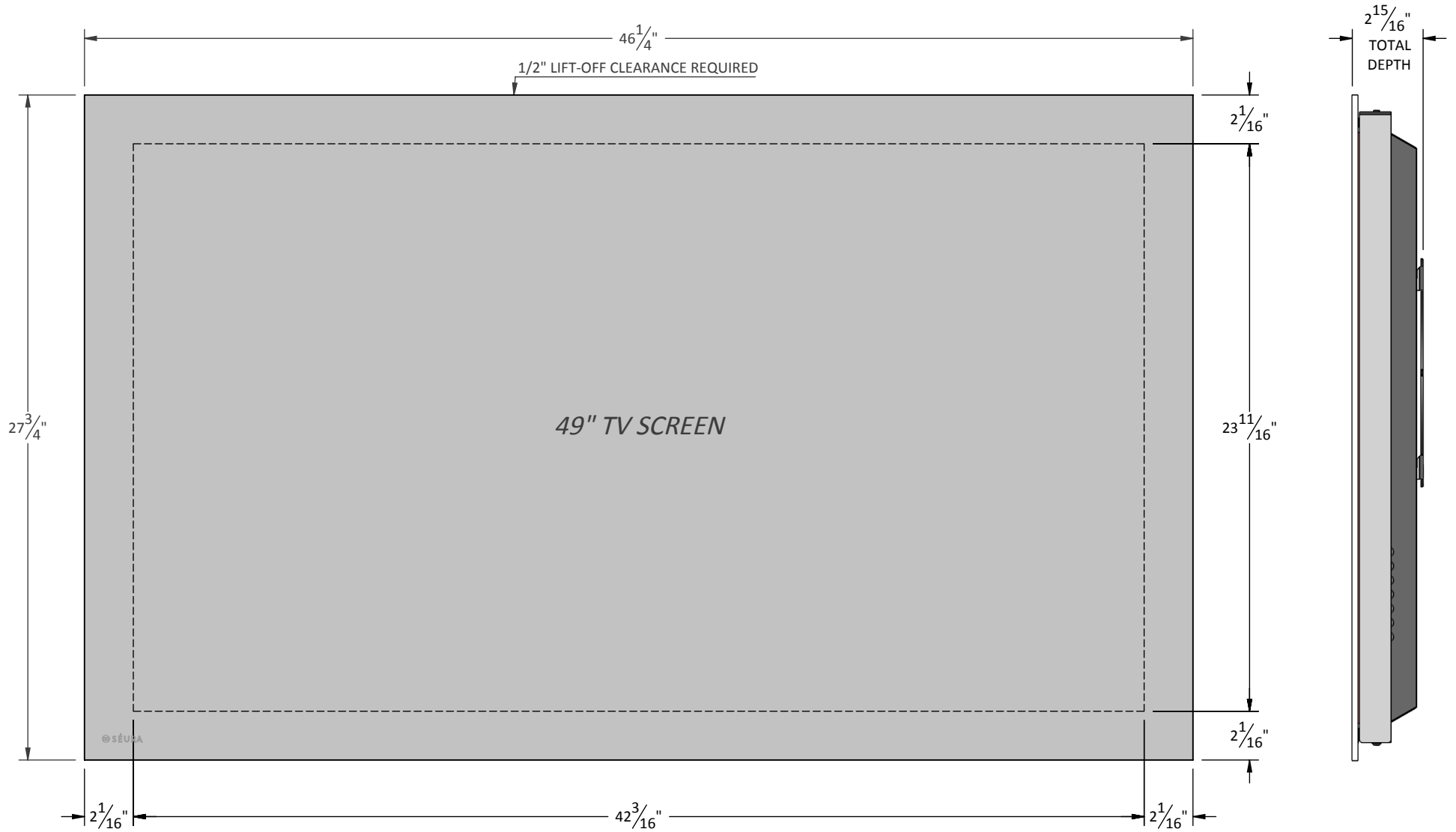
Reseller  
-

Drawing ID Number  
-

Date Created  
13 MAY 2016

Revised Date  
28 JUN 2017

Item and Description  
S-S-4627-S2-49.2-T2  
46-1/4"(W) X 27-3/4"(H) Surface TV Mirror with 49" TV with Vanishing Entertainment Glass



**SIGNATURE:**

**DATE:**

**NOTE:** PLEASE SIGN AND DATE THIS PAGE BEFORE RETURNING TO SEURA, SIGNIFYING YOU AGREE TO ALL SPECIFICATIONS SHOWN ON ALL DRAWING SHEETS. THE BUILD PROCESS WILL NOT BEGIN WITHOUT AN AUTHORIZED SIGNATURE. FOR DRAWINGS THAT REQUIRE REVISIONS, SEND THE REVISIONS TO SEURA NOTED ON THE ORIGINAL DRAWINGS. A REVISED DRAWING PACKAGE WILL BE RE-SENT FOR SIGNATURE.

**TOLERANCES (UNLESS OTHERWISE NOTED)**  
 FRACTIONAL:  $\pm 1/8"$   
 ANGULAR:  $\pm 1.0^\circ$   
 TWO PLACE DECIMAL:  $\pm .03"$   
 THREE PLACE DECIMAL:  $\pm .015"$

**PROPRIETARY AND CONFIDENTIAL**  
 THE INFORMATION CONTAINED IN THIS DOCUMENT IS THE SOLE PROPERTY OF THE MANUFACTURER. ANY REPRODUCTION IN PART, OR AS A WHOLE, WITHOUT THE WRITTEN PERMISSION OF MANUFACTURER, IS PROHIBITED.

**SHEET  
1**

## S2-49.2 ULTRA HIGH DEFINITION DISPLAY SPECIFICATIONS

**Display Type** SI Thin Film Transistor

**Backlight** LED

**Active Screen Area WxH** 42.28" (W) x 23.78" (H)

**Picture Format** 16:9

**Physical Resolution** 3840 x 2160

**Horizontal Viewing Angle** Typical (Total) 178° (Left: 89° / Right: 89°)

**Vertical Viewing Angle** Typical (Total) 178° (Up: 89° / Down: 89°)

**Brightness** 500 cd/m<sup>2</sup>

**Contrast** Typical 1100:1

**Response Time** 8.0ms

**OSD Language** English, Spanish, French

**Video**

**HDMI™** 480i, 480p, 576i, 576p, 720p, 1080i, 1080p, 2160p

**VGA** up to 1920 x 1080p

**Audio Input** Line Level

**Audio Output** Analog L/R, Optical Digital and Coaxial

**Input Ports**

**Display Port** - 1

**HDMI Input** 3 x HDMI terminal

**USB** 1 x USB terminal

**RS232** RJ45 Port

**IR Input (Infrared)** RJ45 Port

**Output Ports**

**+ 5 Volt Output**

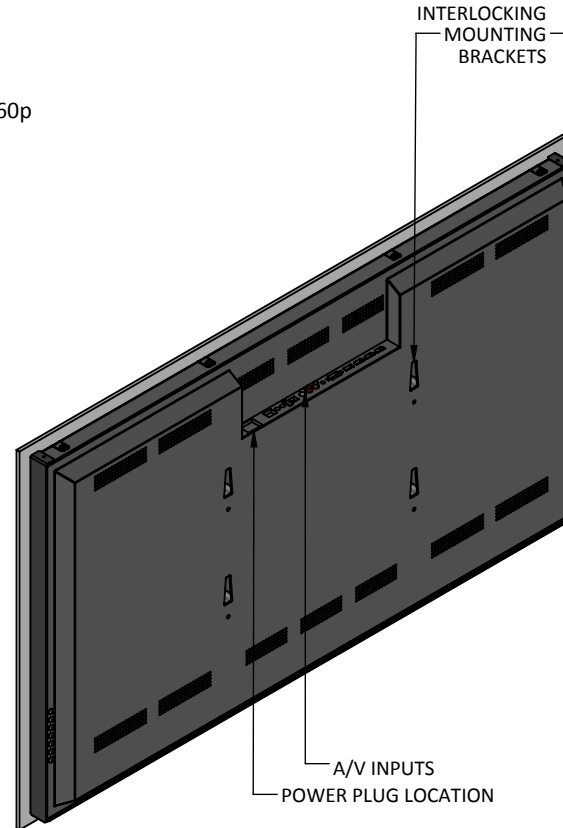
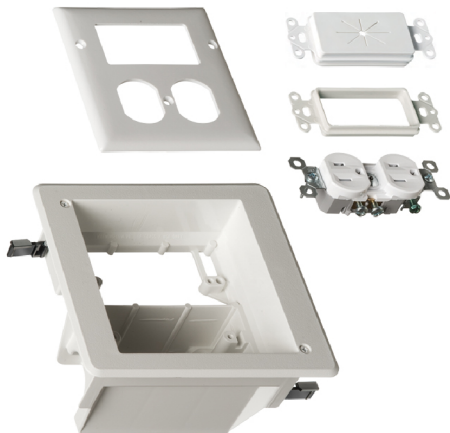
**+12 Volt Output**

**IR Output** RJ45 Port

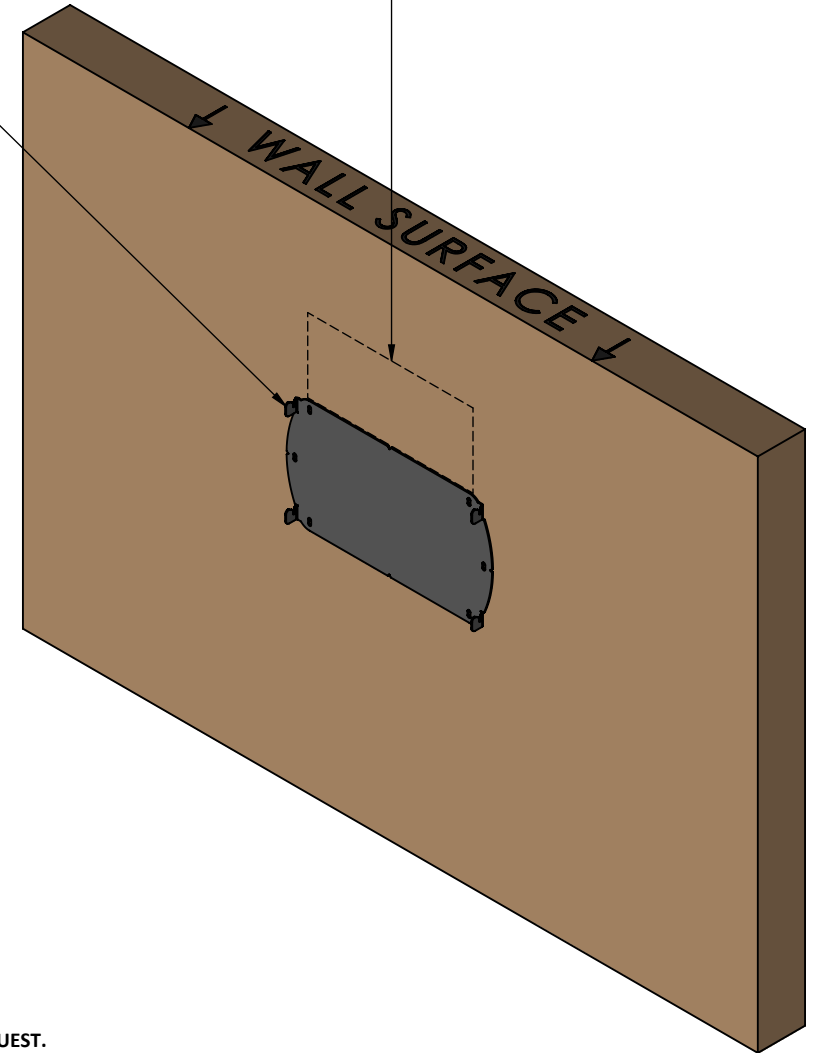
**Power Consumption** 100-240VAC, 50/60Hz, 130W

**Refresh Rate** 120 Hz

**VESA Hole Pattern** 400mm X 200mm



LOCATE POWER & A/V WITHIN THIS AREA, RECESSED OUTLET REQUIRED. REFER TO SHEET 3 FOR DIMENSIONS



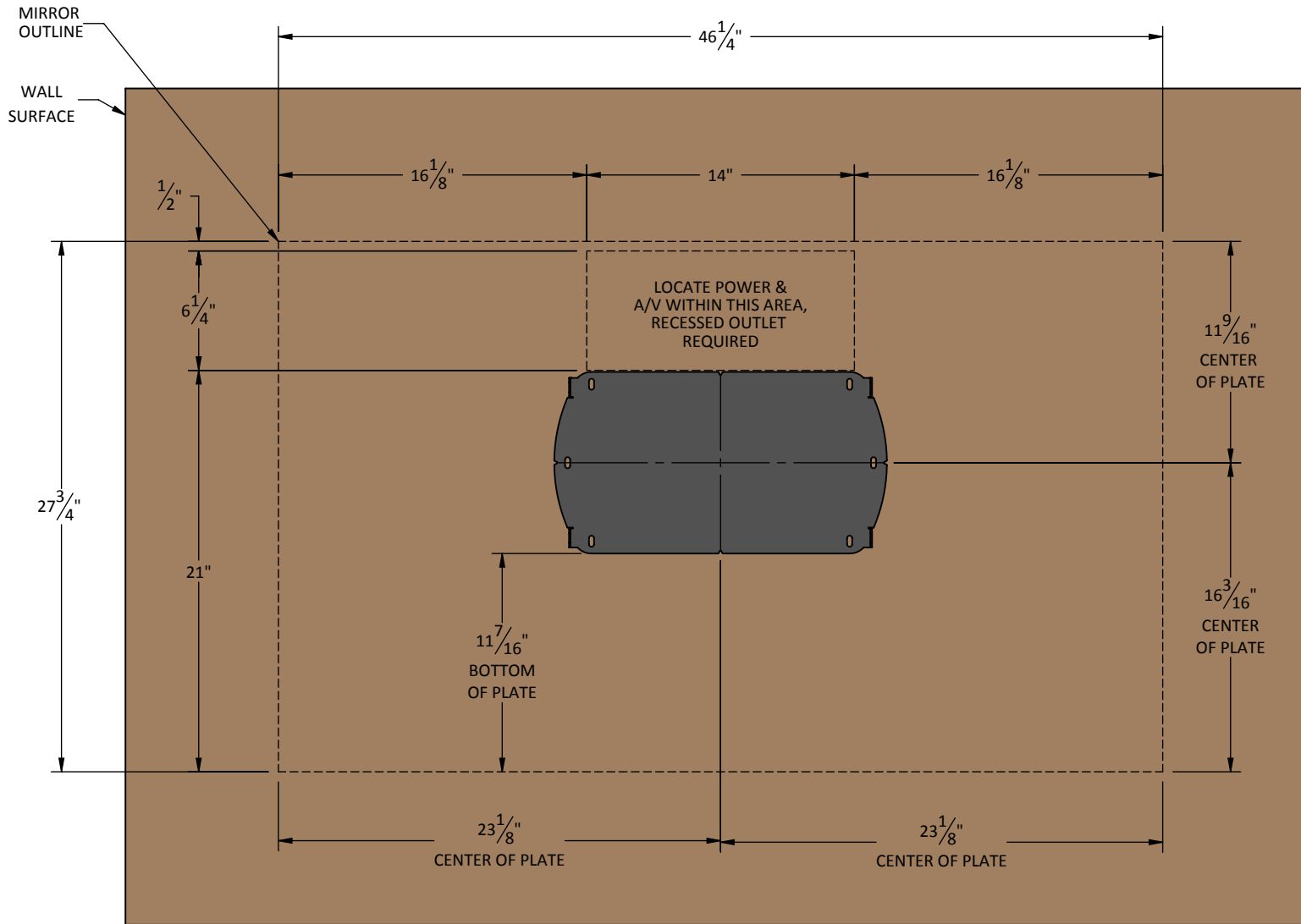
**SPECIFY #SP10232 FOR OPTIONAL IN-WALL BOX KIT AVAILABLE UPON REQUEST.**  
**DESIGNED FOR STANDARD 2 X 4 WALLS (NEW OR OLD CONSTRUCTION).**  
**INSTALLATION INSTRUCTIONS ARE INCLUDED.**  
**REQUIRES 5-3/4"W X 5-1/8"H ROUGH OPENING.**  
**MFR: ARLINGTON #TVBR505K**

**TOLERANCES (UNLESS OTHERWISE NOTED)**  
 FRACTIONAL:  $\pm 1/8"$   
 ANGULAR:  $\pm 1.0^\circ$   
 TWO PLACE DECIMAL:  $\pm .03"$   
 THREE PLACE DECIMAL:  $\pm .015"$

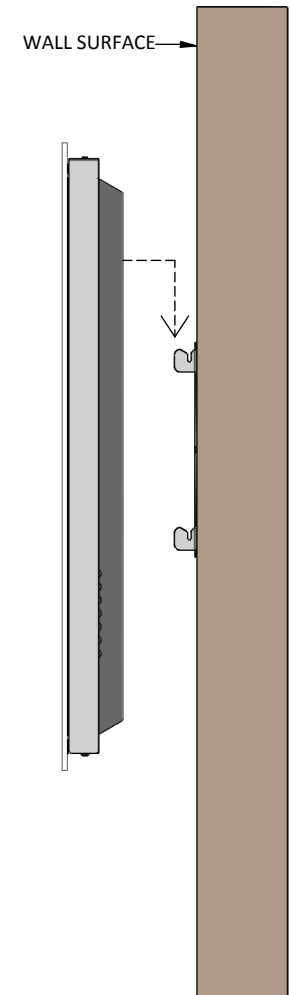
**PROPRIETARY AND CONFIDENTIAL**  
 THE INFORMATION CONTAINED IN THIS DOCUMENT IS THE SOLE PROPERTY OF THE MANUFACTURER. ANY REPRODUCTION IN PART, OR AS A WHOLE, WITHOUT THE WRITTEN PERMISSION OF MANUFACTURER, IS PROHIBITED.

**SHEET  
2**

Model Number S-S-4627-S2-49.2-T2	Drawing ID Number -	Date Created 13 MAY 2016	Revised Date 28 JUN 2017
-------------------------------------	------------------------	-----------------------------	-----------------------------



**SIDE VIEW  
BRACKET ENGAGEMENT**



**INSTALLATION INSTRUCTIONS:**

- Reference the dimensions on this sheet to properly locate the wall brackets on the mounting surface.
- If it is not possible to mount to the wall framing members, use the supplied toggle bolts into minimum ½-inch thick drywall. Toggle bolt instructions are included in the fastener packet.
- Hold mirror assembly close to wall, connect A/V and power, and verify functionality.
- Hang TV mirror on mounting plate, ensuring hooks are fully engaged and unit is secure.

<p><b>TOLERANCES (UNLESS OTHERWISE NOTED)</b>          FRACTIONAL: ± 1/8"          ANGULAR: ± 1.0°          TWO PLACE DECIMAL: ± .03"          THREE PLACE DECIMAL: ± .015"</p>	<p><b>PROPRIETARY AND CONFIDENTIAL</b>          THE INFORMATION CONTAINED IN THIS DOCUMENT IS THE SOLE PROPERTY OF THE MANUFACTURER. ANY REPRODUCTION IN PART, OR AS A WHOLE, WITHOUT THE WRITTEN PERMISSION OF MANUFACTURER, IS PROHIBITED.</p>
---	--

Model Number S-S-4627-S2-49.2-T2	Drawing ID Number -	Date Created 13 MAY 2016	Revised Date 28 JUN 2017
-------------------------------------	------------------------	-----------------------------	-----------------------------