



www.seura.com  
 PH. 920.857.9069  
 FAX 920.857.9490

Reseller  
-

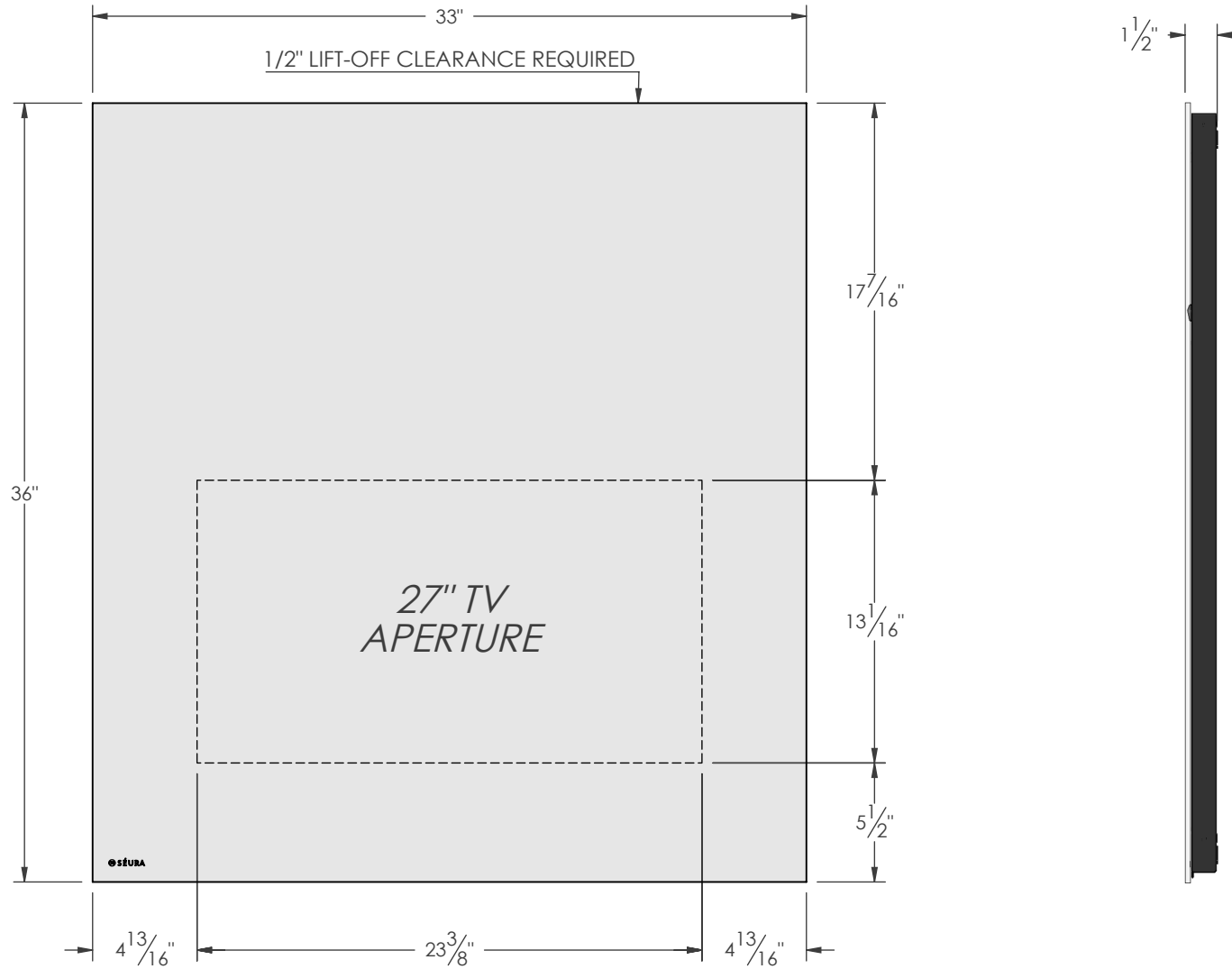
Drawing ID Number  
-

Date Created  
24 SEP 2015

Revised Date  
28 JUN 2017

Item and Description  
S-S-3336-27.5-V2

33"(W) X 36"(H) Surface-Mounted TV Mirror with 27" TV and Vanishing Vanity Glass



**SIGNATURE:**

**DATE:**

**NOTE:** PLEASE SIGN AND DATE THIS PAGE BEFORE RETURNING TO SEURA, SIGNIFYING YOU AGREE TO ALL SPECIFICATIONS SHOWN ON ALL DRAWING SHEETS. THE BUILD PROCESS WILL NOT BEGIN WITHOUT AN AUTHORIZED SIGNATURE. FOR DRAWINGS THAT REQUIRE REVISIONS, SEND THE REVISIONS TO SEURA NOTED ON THE ORIGINAL DRAWINGS. A REVISED DRAWING PACKAGE WILL BE RE-SENT FOR SIGNATURE.

**TOLERANCES (UNLESS OTHERWISE NOTED)**  
 FRACTIONAL: ± 1/8"  
 ANGULAR: ± 1.0°  
 TWO PLACE DECIMAL: ± .03"  
 THREE PLACE DECIMAL: ± .015"

**PROPRIETARY AND CONFIDENTIAL**  
 THE INFORMATION CONTAINED IN THIS DOCUMENT IS THE SOLE PROPERTY OF THE MANUFACTURER. ANY REPRODUCTION IN PART, OR AS A WHOLE, WITHOUT THE WRITTEN PERMISSION OF MANUFACTURER, IS PROHIBITED.

**SHEET  
1**

## 27" High-Definition TV Specifications

Screen Size (Diagonal): 27-inch  
 Format: 16:9  
 Brightness: 700 cd/m<sup>2</sup>  
 Viewing Angle: 170° Horizontal/Vertical  
 Contrast: 4000:1  
 Response Time: 6ms  
 Native Resolution: 1920 X 1080  
 Backlight: LED  
 Menu Languages: English, French, Spanish

### Tuner:

ATV: NTSC  
 Digital: ATSC/QAM

### Video:

75 Ohm Coaxial Antenna X 1  
 Composite Video, Audio L, Audio R (RCA plugs) X 1  
 Component YPbPr (RCA plugs) X 1  
 S-Video Mini 4-pin DIN X 1  
 VGA 15-pin D-sub Female X 1  
 HDMI Type A X 2  
 USB Type A X 1

### Audio:

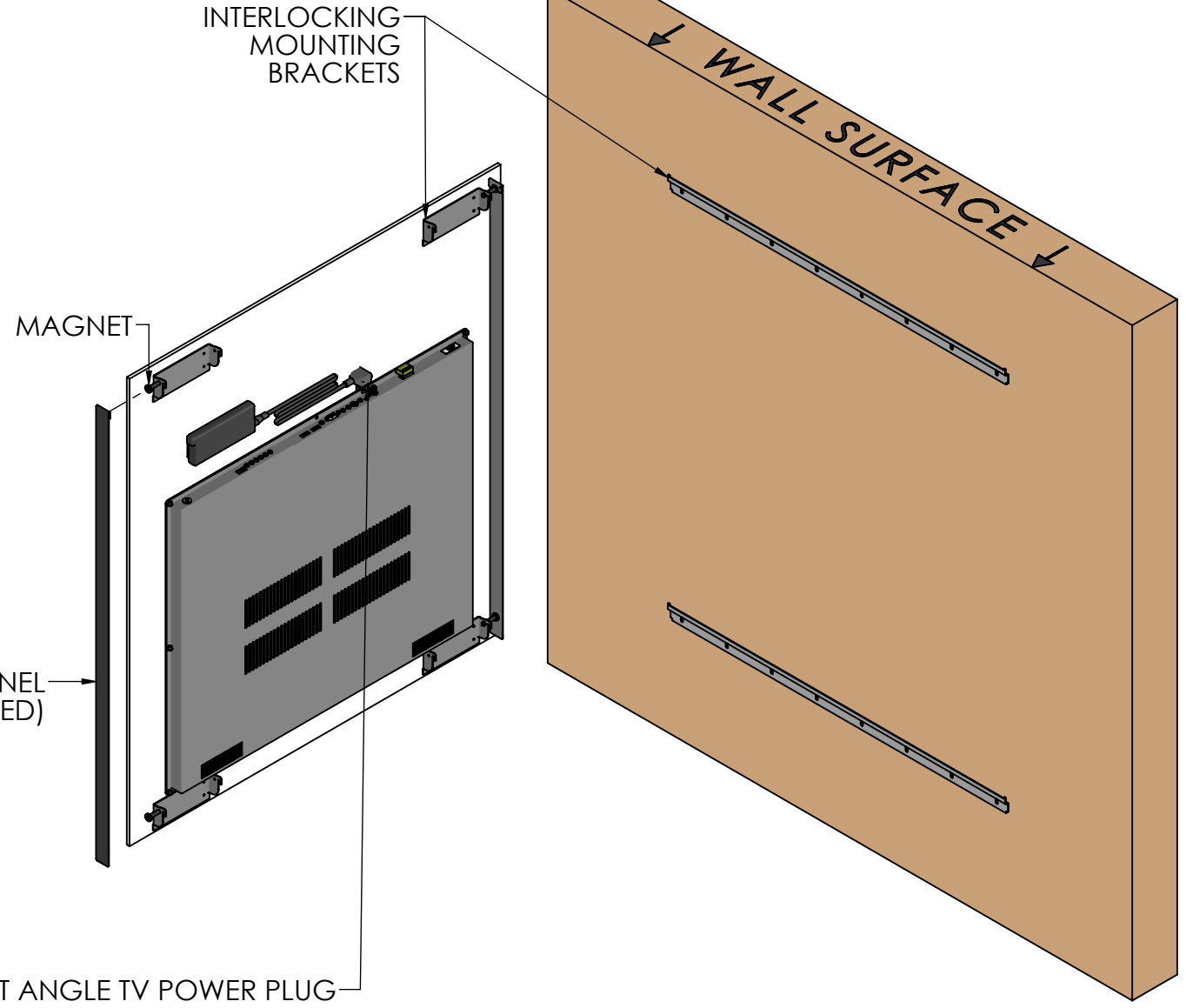
Amplified Internal Speakers: 2 X 5W  
 Amplified Output for External Speakers: 2 X 5W  
 Amplified Output: Terminal Block  
 Constant Line Output: 3.5mm Jack X 2

### Control:

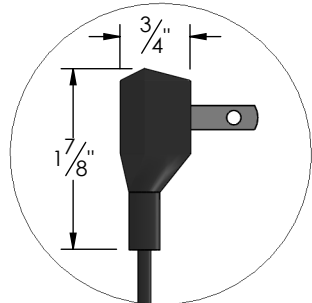
RS232: 9-pin DB9 Female X 1  
 IR IN: 3.5mm Jack X 1  
 IR OUT: 3.5mm Jack X 4

### Power:

Input: 110-240 VAC, 50-60Hz, 1.5A  
 Type A NEMA Plug  
 Requires GFCI Protected Outlet



DETAIL VIEW  
 TV POWER PLUG



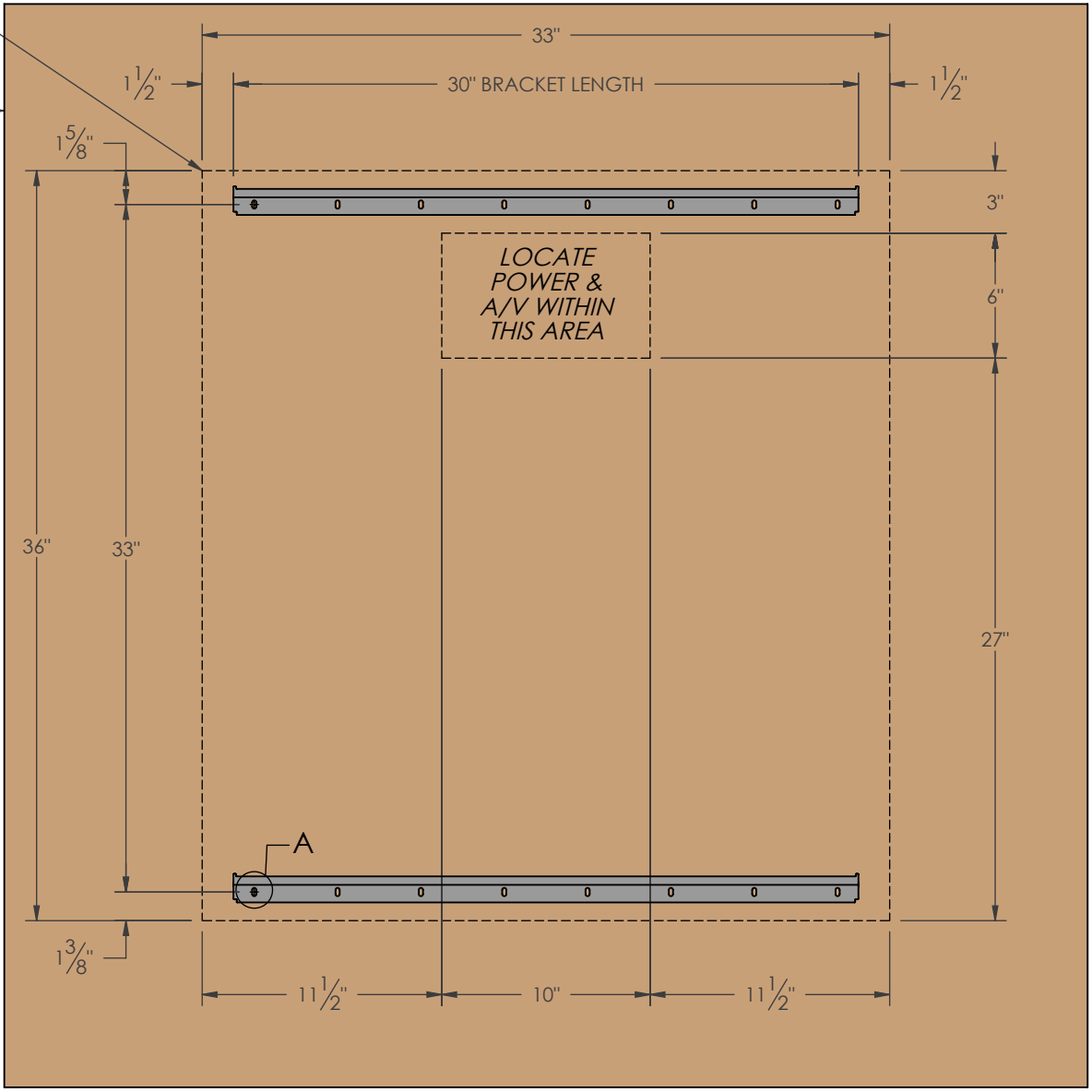
<b>TOLERANCES                  (UNLESS OTHERWISE NOTED)</b> FRACTIONAL: ± 1/8" ANGULAR: ± 1.0° TWO PLACE DECIMAL: ± .03" THREE PLACE DECIMAL: ± .015"	<b>PROPRIETARY AND CONFIDENTIAL</b> THE INFORMATION CONTAINED IN THIS DOCUMENT IS THE SOLE PROPERTY OF THE MANUFACTURER. ANY REPRODUCTION IN PART, OR AS A WHOLE, WITHOUT THE WRITTEN PERMISSION OF MANUFACTURER, IS PROHIBITED.
---	---

Model Number S-S-3336-27.5-V2	Drawing ID Number -	Date Created 24 SEP 2015	Revised Date 28 JUN 2017
----------------------------------	------------------------	-----------------------------	-----------------------------

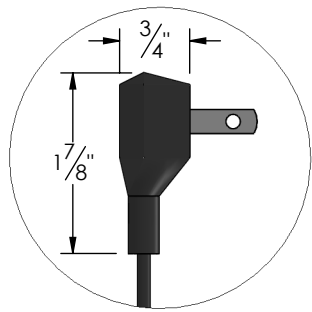
**INSTALLATION INSTRUCTIONS:**

- Reference the dimensions on this sheet to properly locate the wall brackets on the mounting surface.
- Wall brackets must have mounting screws in both end slots.
- If it is not possible to mount to the wall framing members, use the supplied toggle bolts into minimum ½-inch thick drywall. Toggle bolt instructions are included in the fastener packet.
- Hold mirror assembly close to wall, connect A/V and power, and verify functionality.
- Hang mirror assembly. Ensure the brackets are interlocked and mirror is secure.
- Attach magnetic side panels.

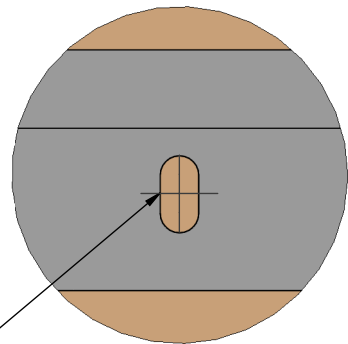
MIRROR OUTLINE  
WALL SURFACE



DETAIL VIEW  
TV POWER PLUG  
SCALE 1 : 2



DETAIL A  
SCALE 1 : 1



VERTICAL DIMENSIONS ARE TO CENTER OF MOUNTING SLOTS

<p><b>TOLERANCES (UNLESS OTHERWISE NOTED)</b>          FRACTIONAL: ± 1/8"          ANGULAR: ± 1.0°          TWO PLACE DECIMAL: ± .03"          THREE PLACE DECIMAL: ± .015"</p>	<p><b>PROPRIETARY AND CONFIDENTIAL</b>          THE INFORMATION CONTAINED IN THIS DOCUMENT IS THE SOLE PROPERTY OF THE MANUFACTURER. ANY REPRODUCTION IN PART, OR AS A WHOLE, WITHOUT THE WRITTEN PERMISSION OF MANUFACTURER, IS PROHIBITED.</p>
---	--

Model Number S-S-3336-27.5-V2	Drawing ID Number -	Date Created 24 SEP 2015	Revised Date 28 JUN 2017
----------------------------------	------------------------	-----------------------------	-----------------------------